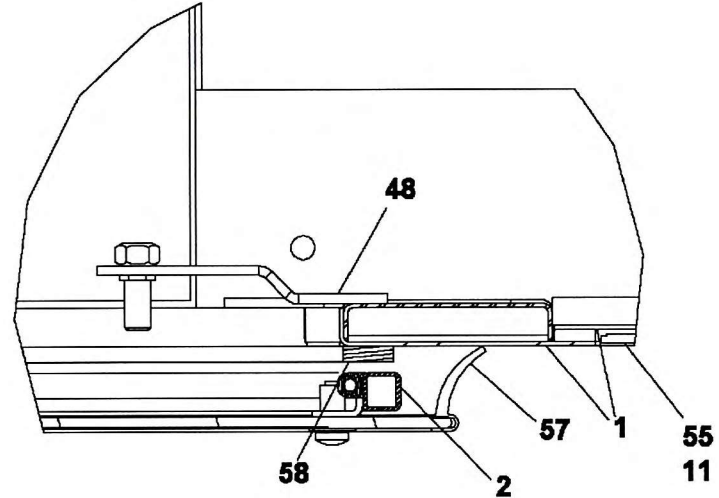
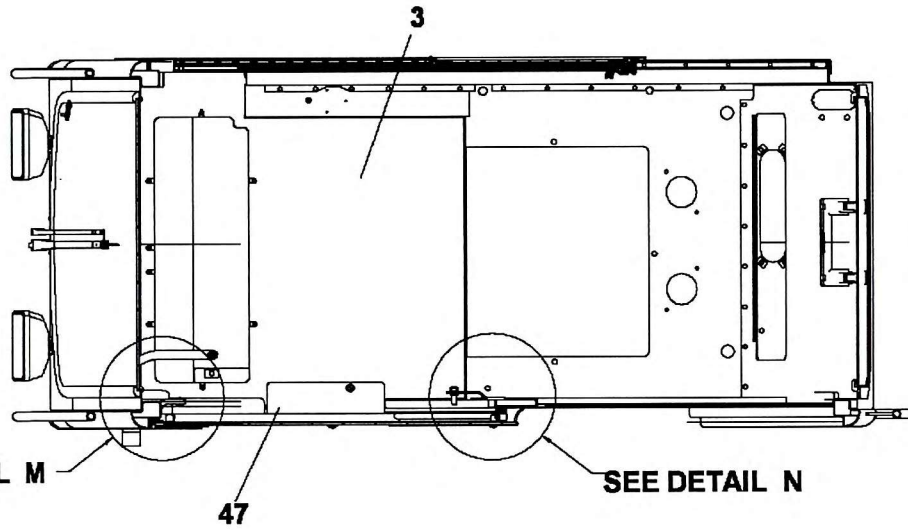


DETAIL M



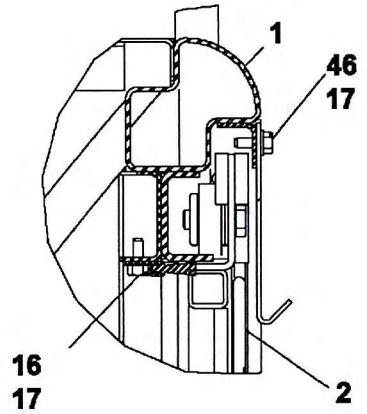
DETAIL N



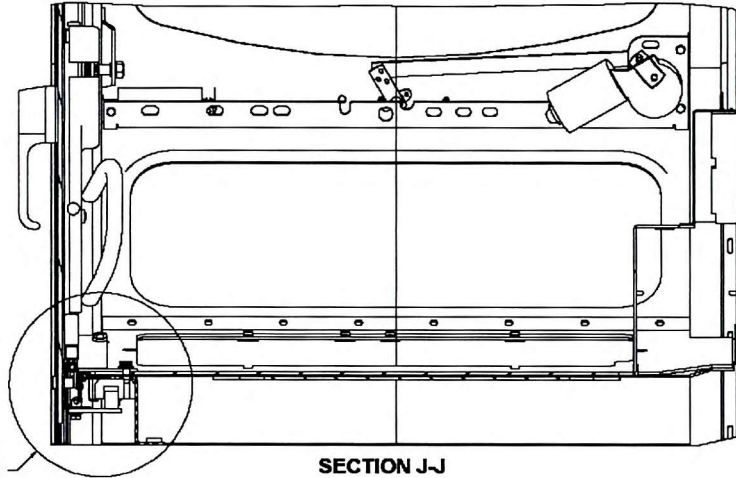
SEE DETAIL M

SEE DETAIL N

SECTION C-C

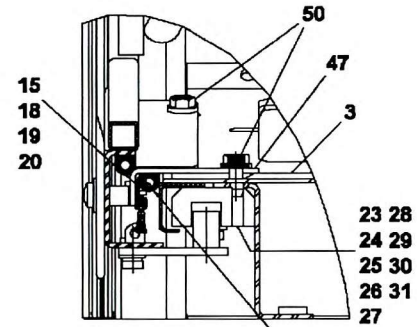


DETAIL P

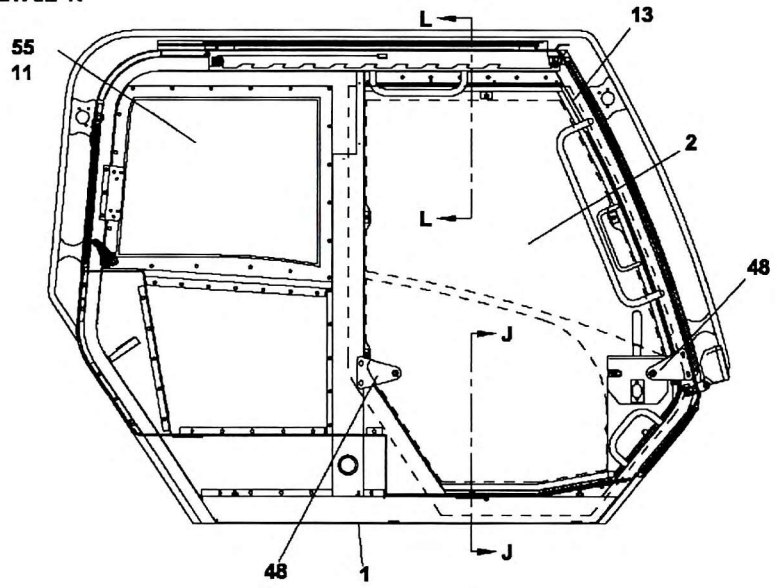


SEE
DETAIL K

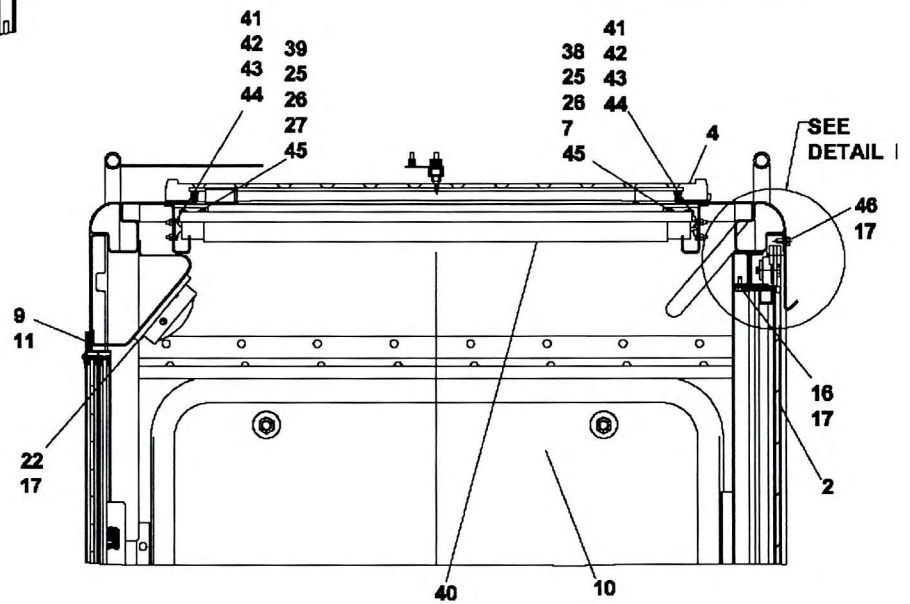
SECTION J-J



DETAIL K
ADHERE ITEM #13 TO THE
UNDER SIDE OF SILL PLATE
ITEM #47 TO FILL THE GAP

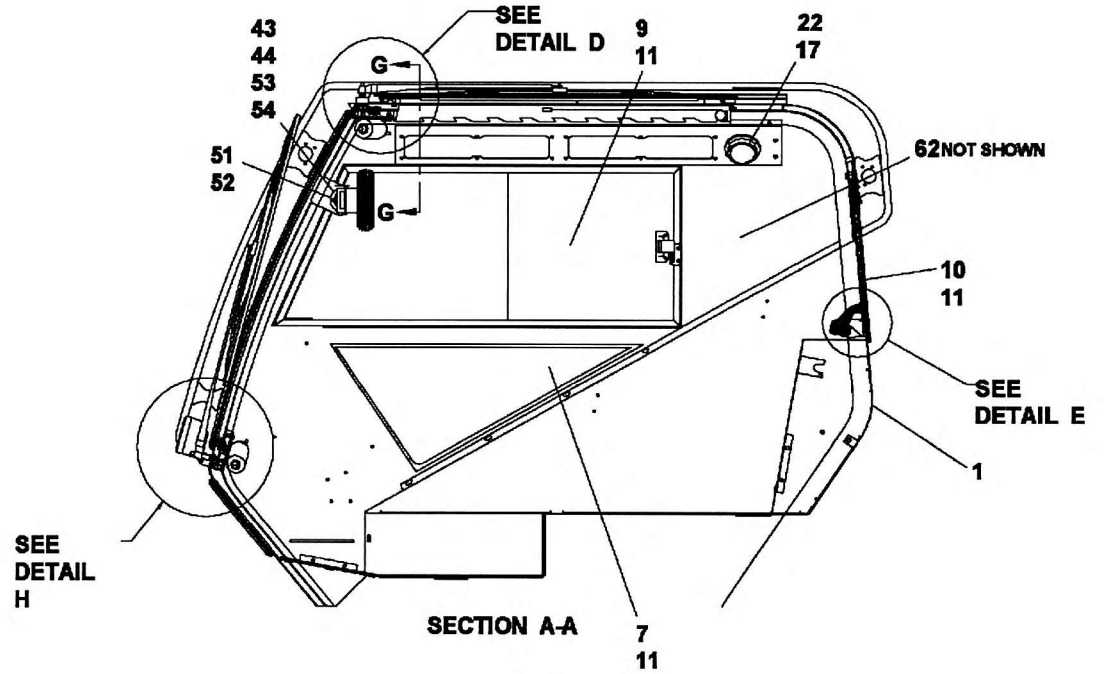
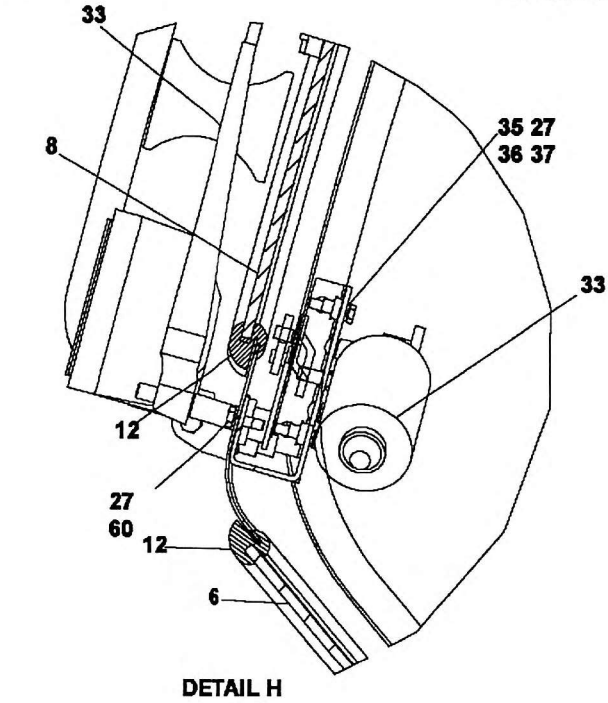
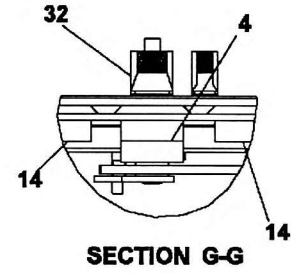
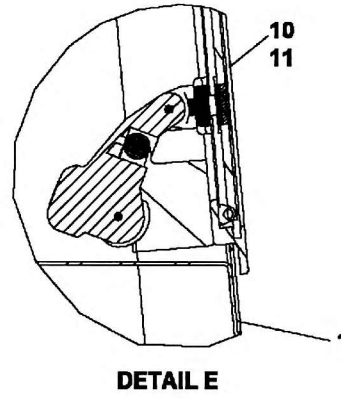
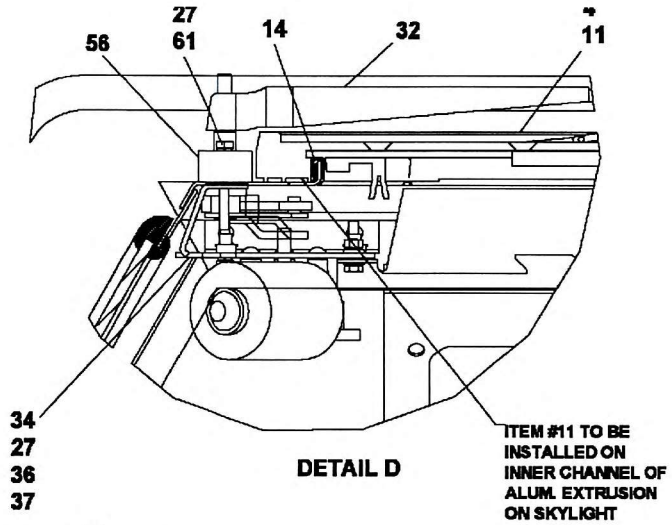


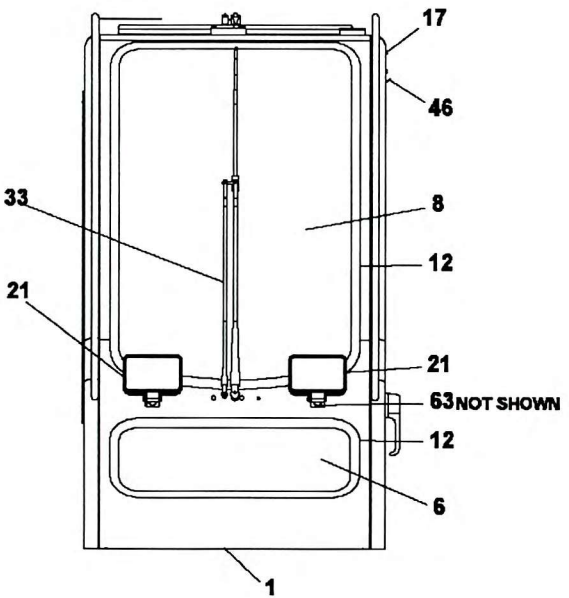
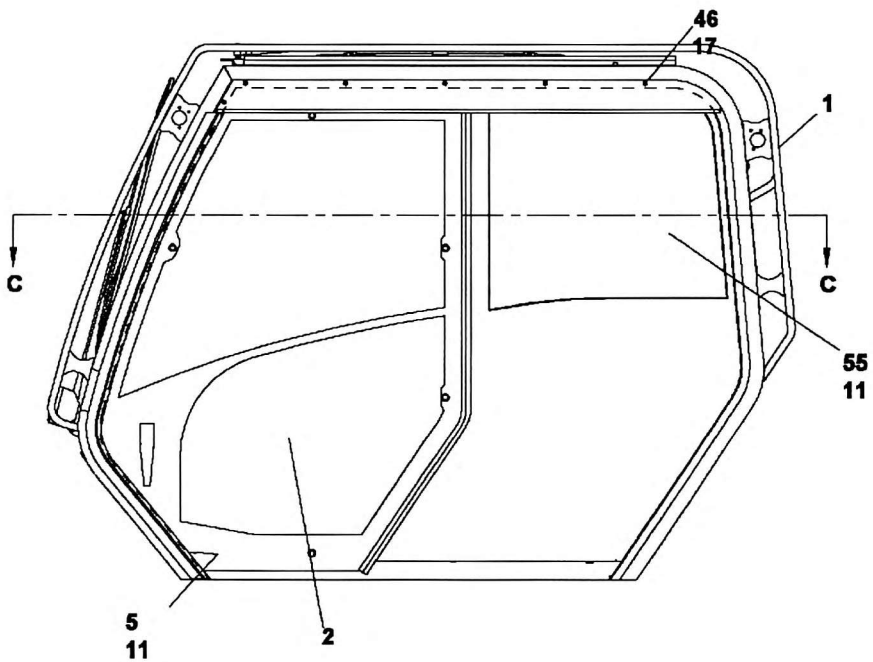
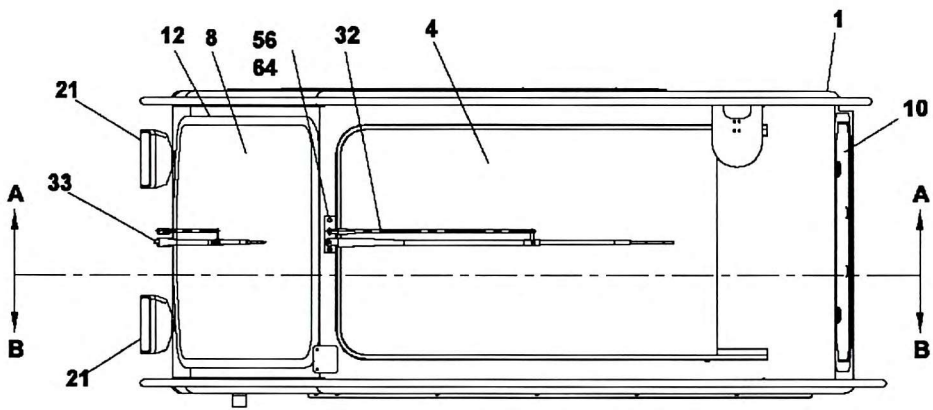
SECTION B-B



SEE
DETAIL I

SECTION L-L





NOT SHOWN
ITEM #62
ITEM #63
ITEM #64
ITEM #65